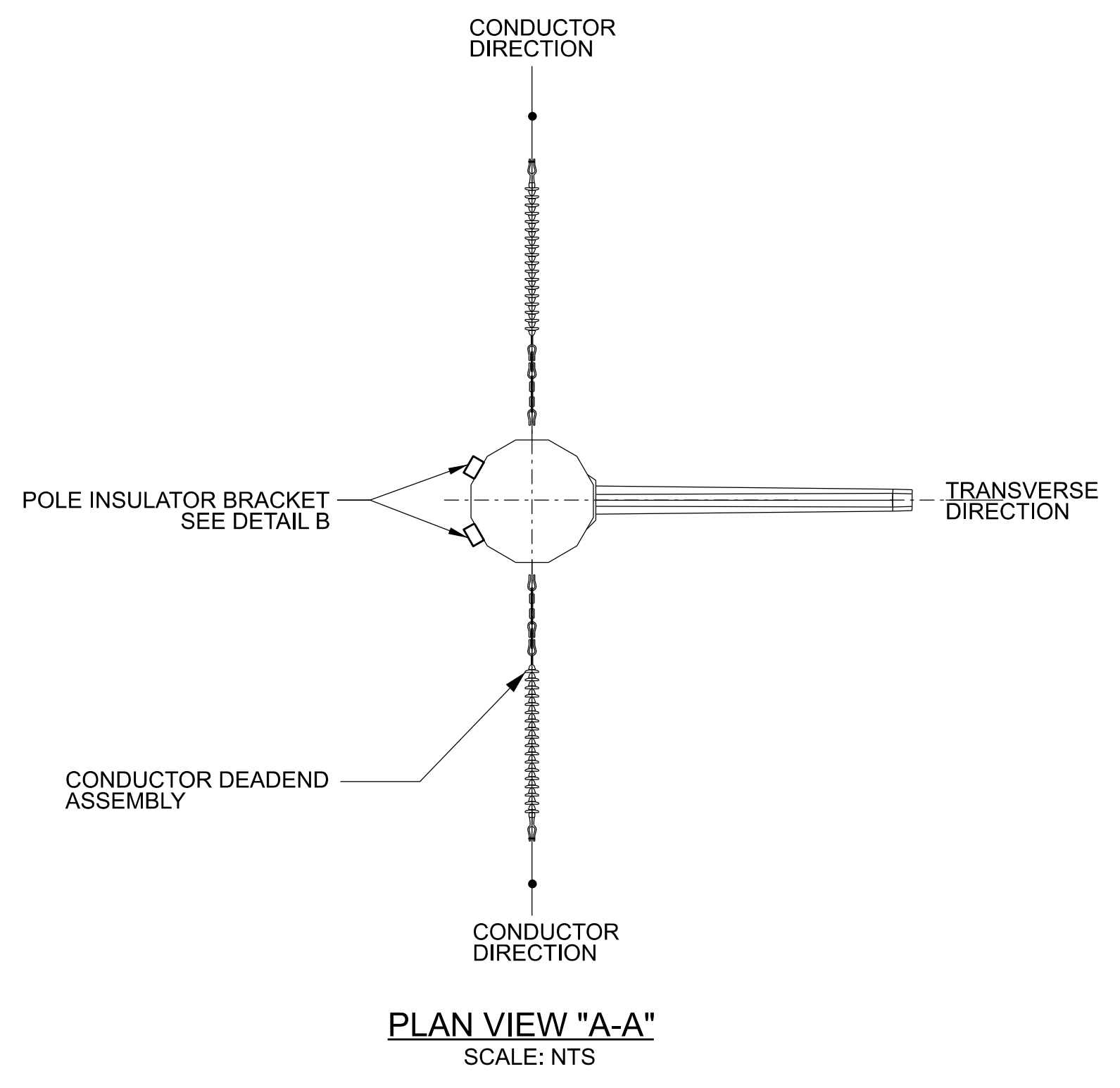
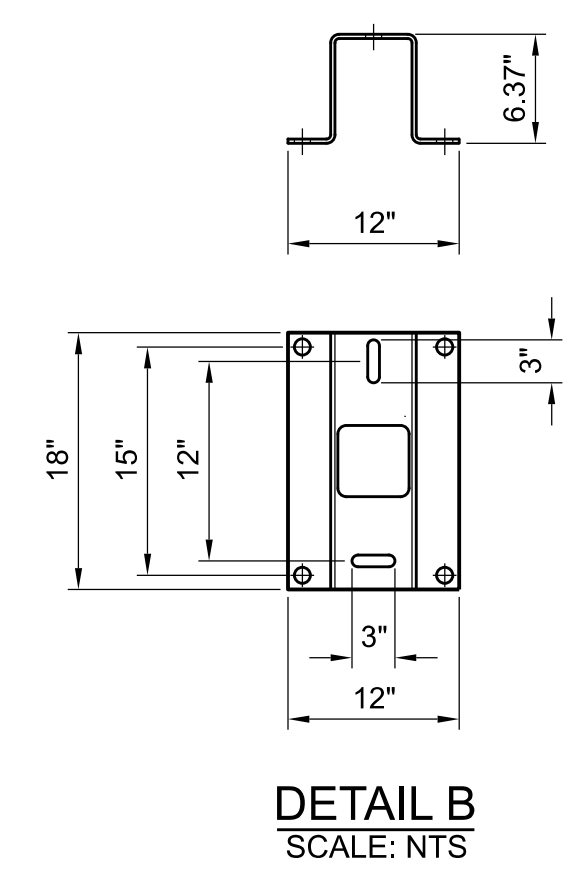


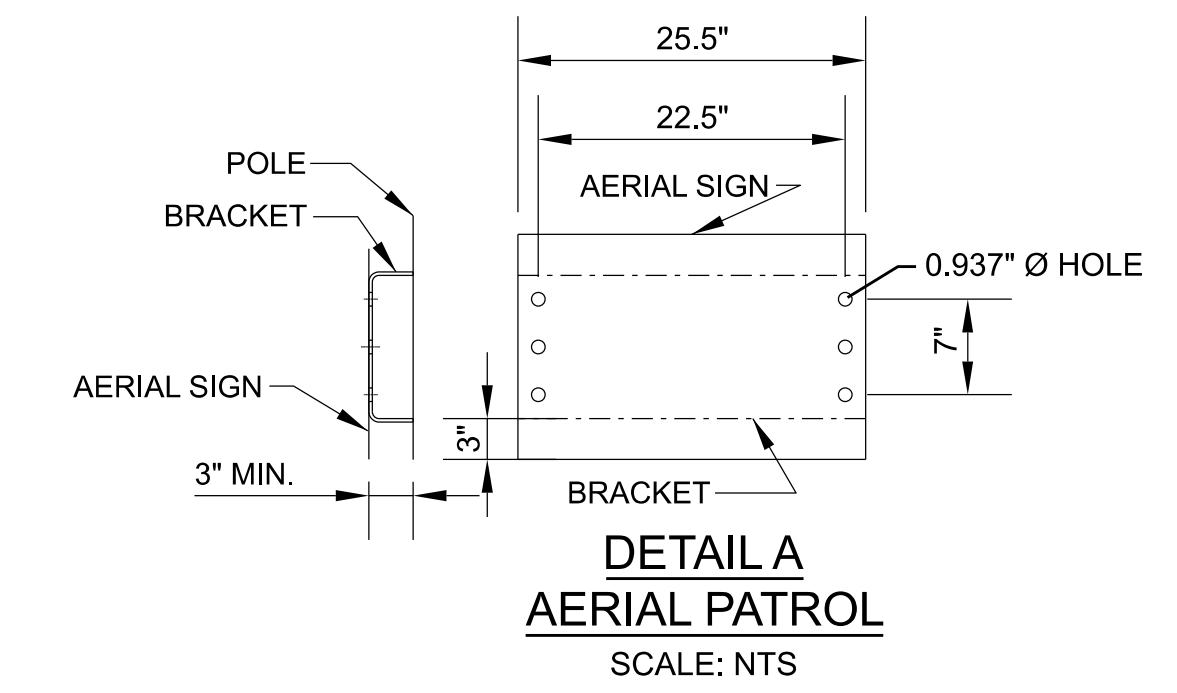
**S/C 45° ANGLE TENSION POLE STRUCTURE (TYPE T-45-1)**  
**ELEVATION VIEW**



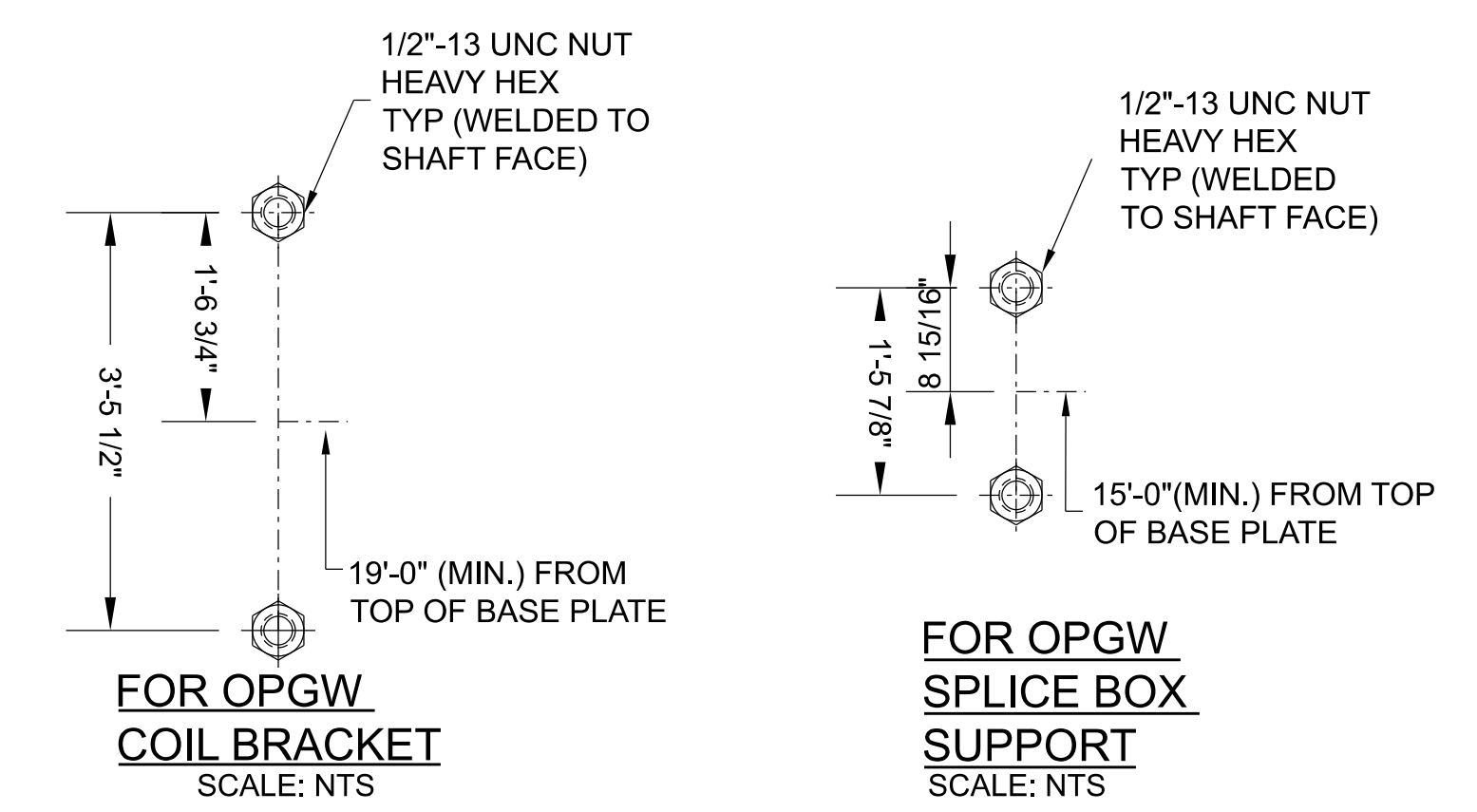
**PLAN VIEW "A-A"**  
 SCALE: NTS



**DETAIL B**  
 SCALE: NTS

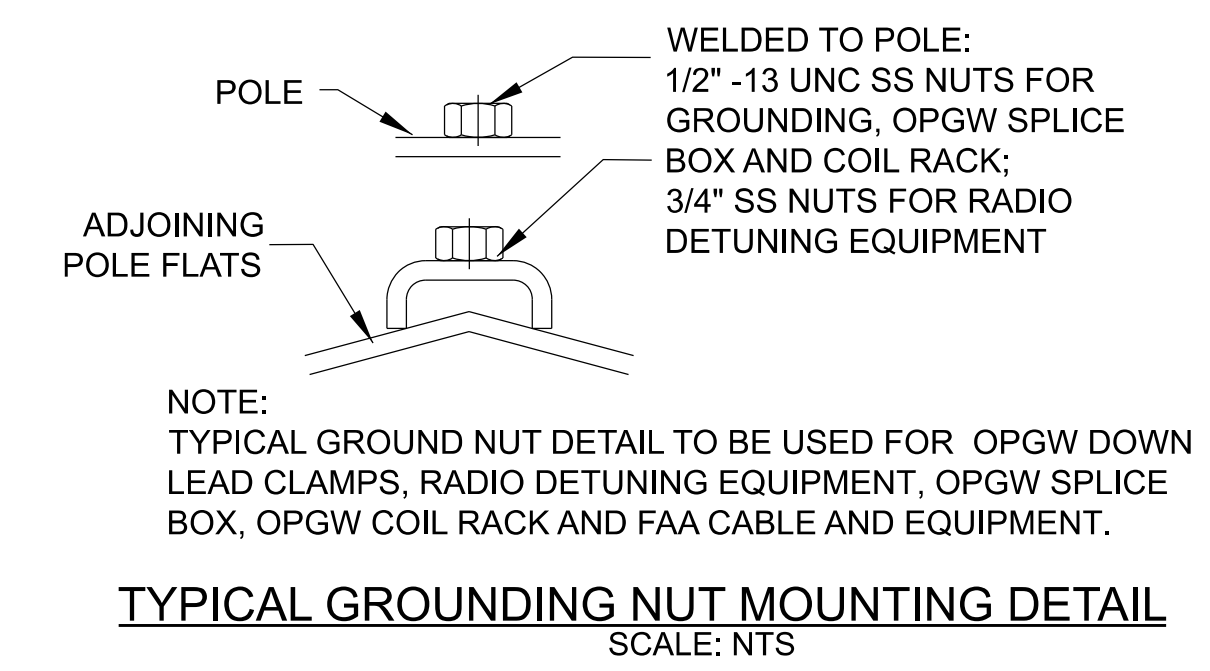


**DETAIL A**  
**AERIAL PATROL**  
 SCALE: NTS

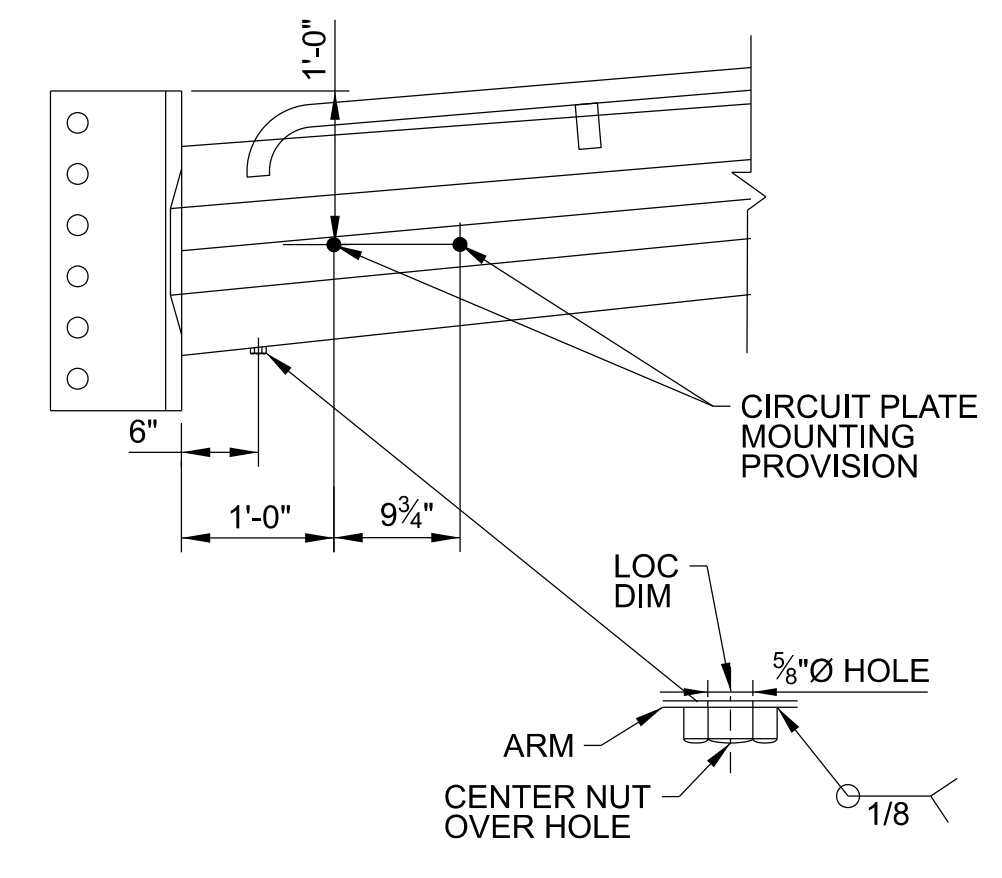


**FOR OPGW COIL BRACKET**  
 SCALE: NTS

**FOR OPGW SPLICE BOX SUPPORT**  
 SCALE: NTS



**TYPICAL GROUNDING NUT MOUNTING DETAIL**  
 SCALE: NTS



**DETAIL 1**  
**CIRCUIT PLATE MOUNTING DETAIL**  
 SCALE: NTS

STRUCTURE NAME	STRUCTURE TYPE	STRUCTURE HEIGHT	LINE ANGLE	MAXIMUM POLE BASE DIAMETER
MA-G 2/5A	T-45-1	130'	73.55°	72"
MA-G 2/5B	T-45-1	130'	46.26°	72"
MA-G 2/5C	T-45-1	130'	21.32°	72"

0	ISSUED FOR BIDS	12/18/2020	J. WANG
ZONE	REV	DESCRIPTION	DATE
REVISIONS			
SUBJECT		ECHELON S/C 230 KV 45° ANGLE TENSION STR T-45-1 OUTLINE	
SCALE	N.T.S.	CHECKED	A. RAITMAN
DATE	11/17/2020	DRAWN BY	J. PANG
APPROVED/TITLE	J. WANG / MANAGER	DISCIPLINE	CIVIL
LOCATION:	VOORHEES TWP, NJ	SIZE ARCH D	DWG NO. TO-773738
REV	0	SHEET	2 OF 3